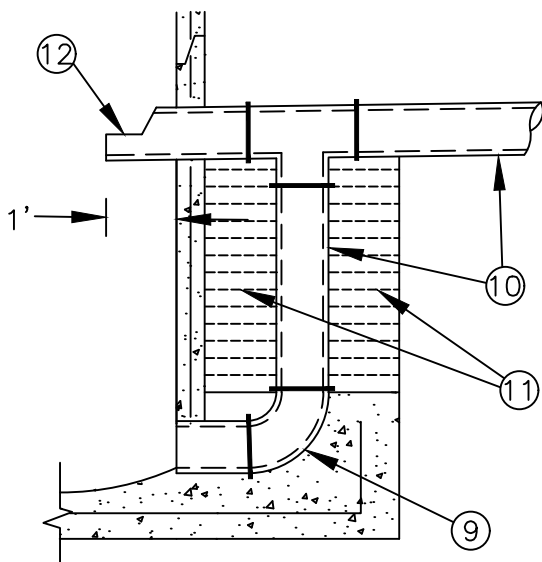


NOTES:

- ① CONE SHALL BE ECCENTRIC. MnDOT PLATE NO. 4005 TYPE B CONE SECTION.
- ② CONE SECTION HEIGHT MAY VARY AS REQUIRED FOR SPECIFIC MH.
- ③ REFER TO PLANS AND/OR SPECIAL PROVISIONS FOR FRAME AND LID TYPE.
- ④ REINFORCING SHALL BE A MINIMUM OF SINGLE LINE STEEL WIRE FABRIC HAVING AN AREA OF NOT LESS THAN 0.12 SQ. IN. PER FOOT IN EACH DIRECTION.
- ⑤ SEE SPECIAL PROVISIONS FOR ADJUSTMENT OPTIONS AND INFILTRATION PROTECTION OPTIONS.
- ⑥ STEPS, ORIENTED ON THE UPSTREAM SIDE OF THE MH, ARE SPACED 16" O.C. AND SHALL CONFORM TO MnDOT PLATE NO. 4180.
- ⑦ MONOLITHIC BASE AND INVERTS SUBJECT TO APPROVAL BY THE ENGINEER. FIELD POURED INVERTS AND/OR SEPARATE BASE SLAB MAY BE REQUIRED IN SOME INSTANCES. INVERT CHANNEL DEPTH SHALL NOT BE LESS THAN 1/2 THE PIPE SIZE.
- ⑧ WATER TIGHT SEAL SHALL CONFORM TO MnDOT PLATE NO. 4007.

DROP DETAIL



DROP DETAIL NOTES:

- ⑨ 90° DUCTILE IRON PIPE BEND CL. 52 CAST MONOLITHICALLY WITH BOTTOM RISER SECTION.
- ⑩ DUCTILE IRON PIPE CL. 52—TO BE USED FOR DROP PIPE AND 20' OUT FROM MH.
- ⑪ DROP PIPE TO BE ENCASED WITH CONCRETE UTILIZING FORMWORK OR PRECAST CONCRETE HORSESHOES.
- ⑫ EXTEND DUCTILE IRON PIPE INTO MANHOLE AND REMOVE PORTION OF PIPE TO CREATE MAINTENANCE BENCH.

DATE REVISED

03/24/17

**PRECAST CONCRETE
SANITARY MANHOLE**

PLATE NO.

1-04